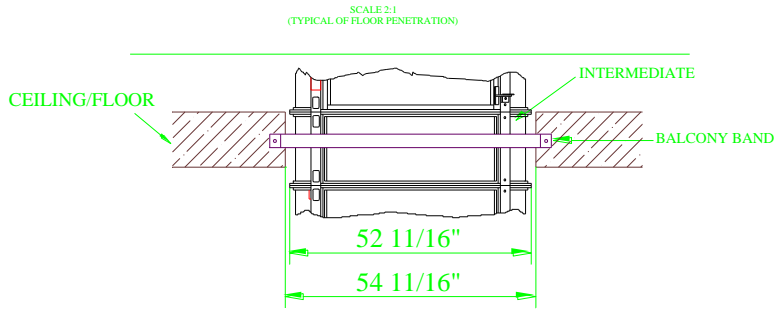
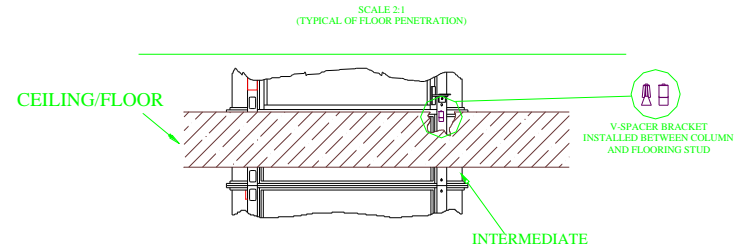


TYPICAL BALCONY MOUNT



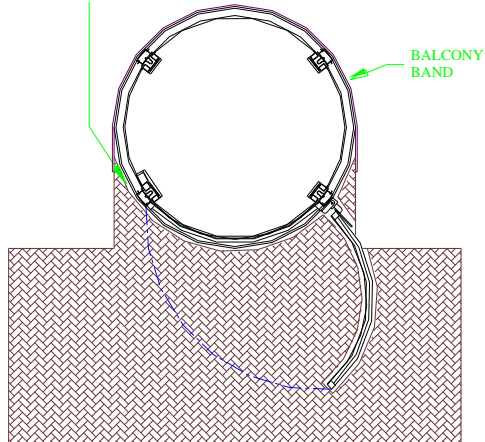
TYPICAL THROUGH FLOOR MOUNT



MOUNT SAMPLE 1

SCALE 2:1

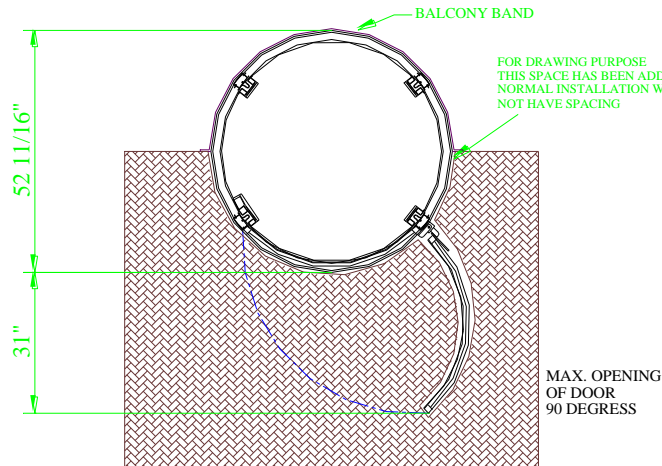
FOR DRAWING PURPOSE
THIS SPACE HAS BEEN ADDED
NORMAL INSTALLATION WILL
NOT HAVE SPACING



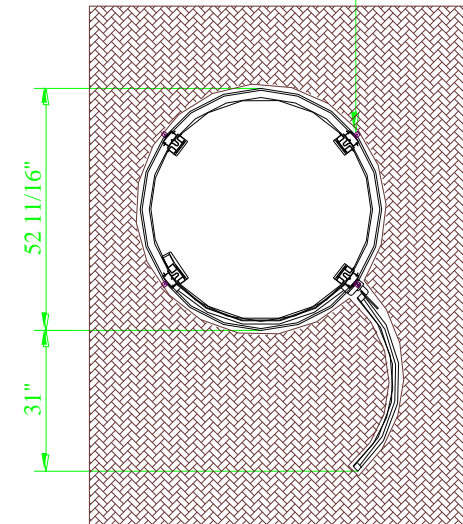
MOUNT SAMPLE 2

SCALE 2:1


FOR DRAWING PURPOSE
THIS SPACE HAS BEEN ADDED
NORMAL INSTALLATION WILL
NOT HAVE SPACING



V-SPACER
BRACKET



Information contain herein is the property of Pneumatic Vacuum Elevators LLC. No reproduction or disclosure of this information may be made by the recipient to any person or organization without the written consent of Pneumatic Vacuum Elevators LLC.

Itemref.	Quantity	Material	Dimintions		Article No./ Reference	
 PNEUMATIC VACUUM ELEVATORS LLC	TYPICAL HOME INSTALLATION MOUNTING OPTIONS- MODEL 52"					
	Designed by HS	Scale 1:1	Drawing No. D-TYP-52-04	Rev 0	Date 10/16/07	