

PROPRIETARY AND CONFIDENTIAL
 THE INFORMATION CONTAINED IN THIS DRAWING IS THE SOLE PROPERTY OF VISILIFT, LLC. ANY REPRODUCTION IN PART OR AS A WHOLE WITHOUT THE WRITTEN PERMISSION OF VISILIFT, LLC IS PROHIBITED.

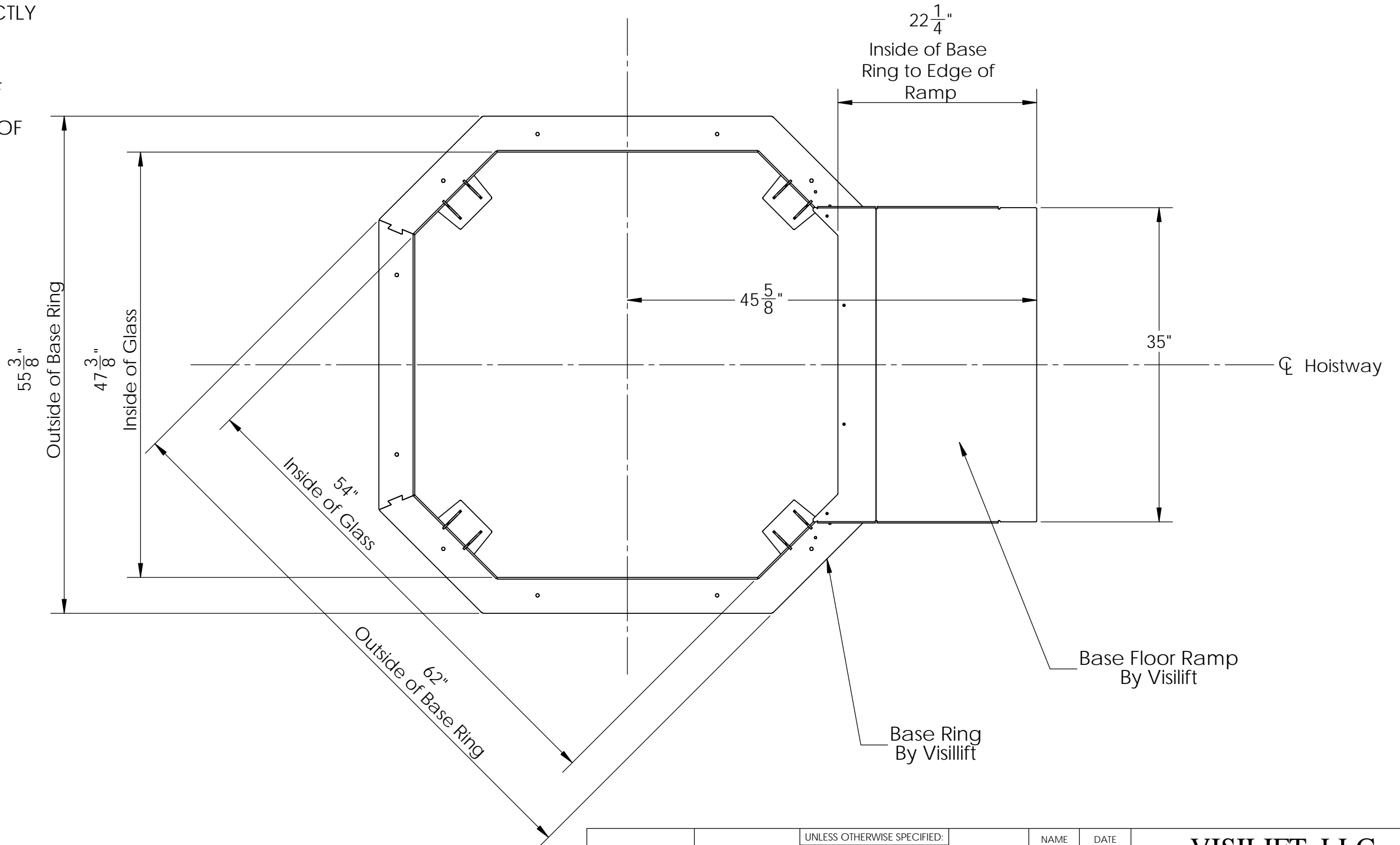
		UNLESS OTHERWISE SPECIFIED:		NAME	DATE
		DIMENSIONS ARE IN INCHES	DRAWN		
		TOLERANCES:	CHECKED		
		FRACTIONAL ±	ENG APPR.		
		ANGULAR: MACH ± BEND ±	MFG APPR.		
		TWO PLACE DECIMAL ±	Q.A.		
		THREE PLACE DECIMAL ±	COMMENTS:		
		INTERPRET GEOMETRIC TOLERANCING PER:	Printed: 4/8/2011		
		MATERIAL	Last Saved: 4/7/2011		
		FINISH			
		APPLICATION			
		DO NOT SCALE DRAWING			

VISILIFT, LLC		
TITLE:		
VIS48SQ - Drawings for Contractors		
SIZE	DWG. NO.	REV
B	Plan View - Door Opening	
SCALE: 1:1	WEIGHT:	SHEET 1 OF 7

NOTE:

BASE RING MOUNTS DIRECTLY TO FLOOR.

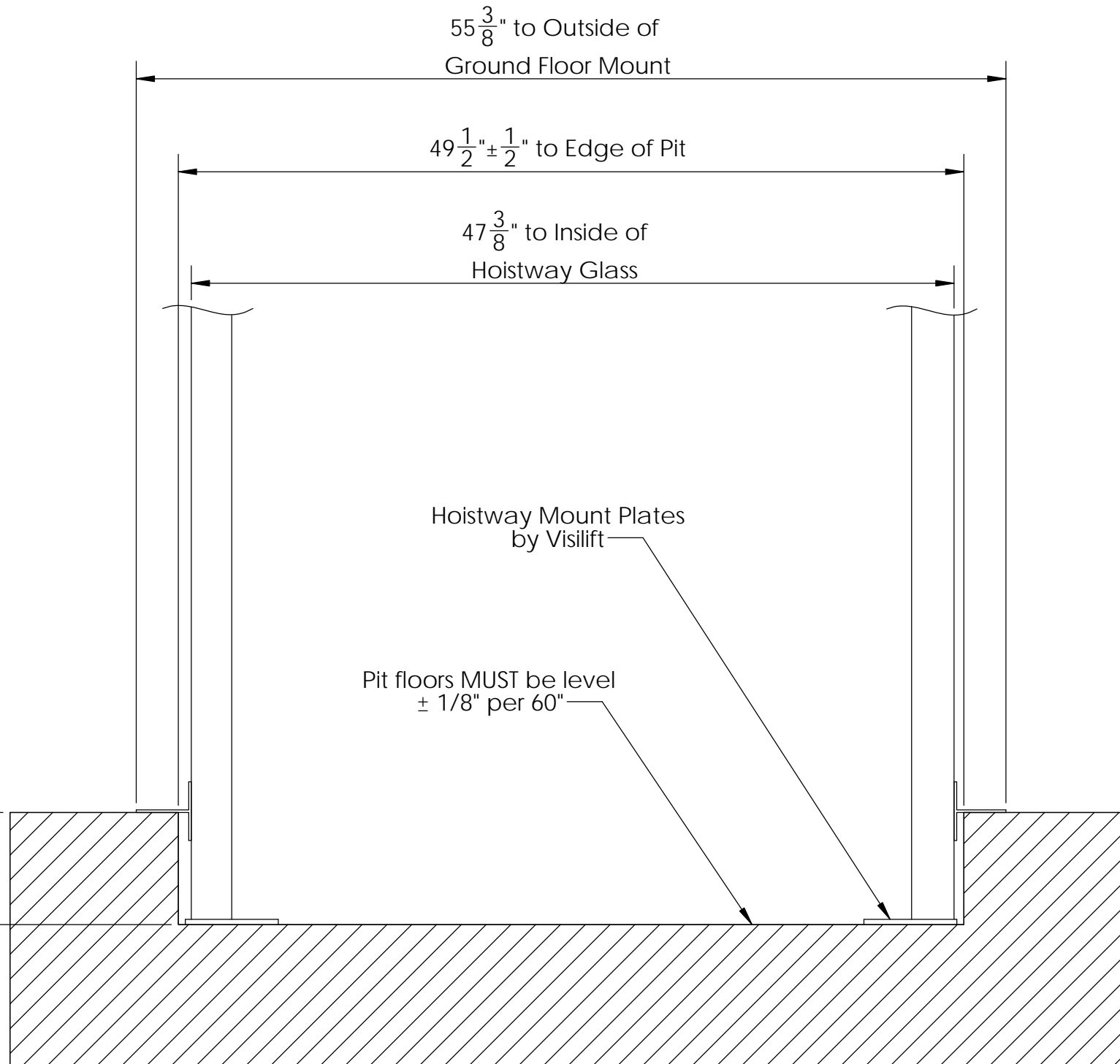
WHEN DESIGNING HVAC, ENSURE HEATED FLOOR (IF APPLICABLE) DOES NOT COME WITHIN 18 INCHES OF BASE RING OR RAMP.



PROPRIETARY AND CONFIDENTIAL
 THE INFORMATION CONTAINED IN THIS DRAWING IS THE SOLE PROPERTY OF VISILIFT, LLC. ANY REPRODUCTION IN PART OR AS A WHOLE WITHOUT THE WRITTEN PERMISSION OF VISILIFT, LLC IS PROHIBITED.

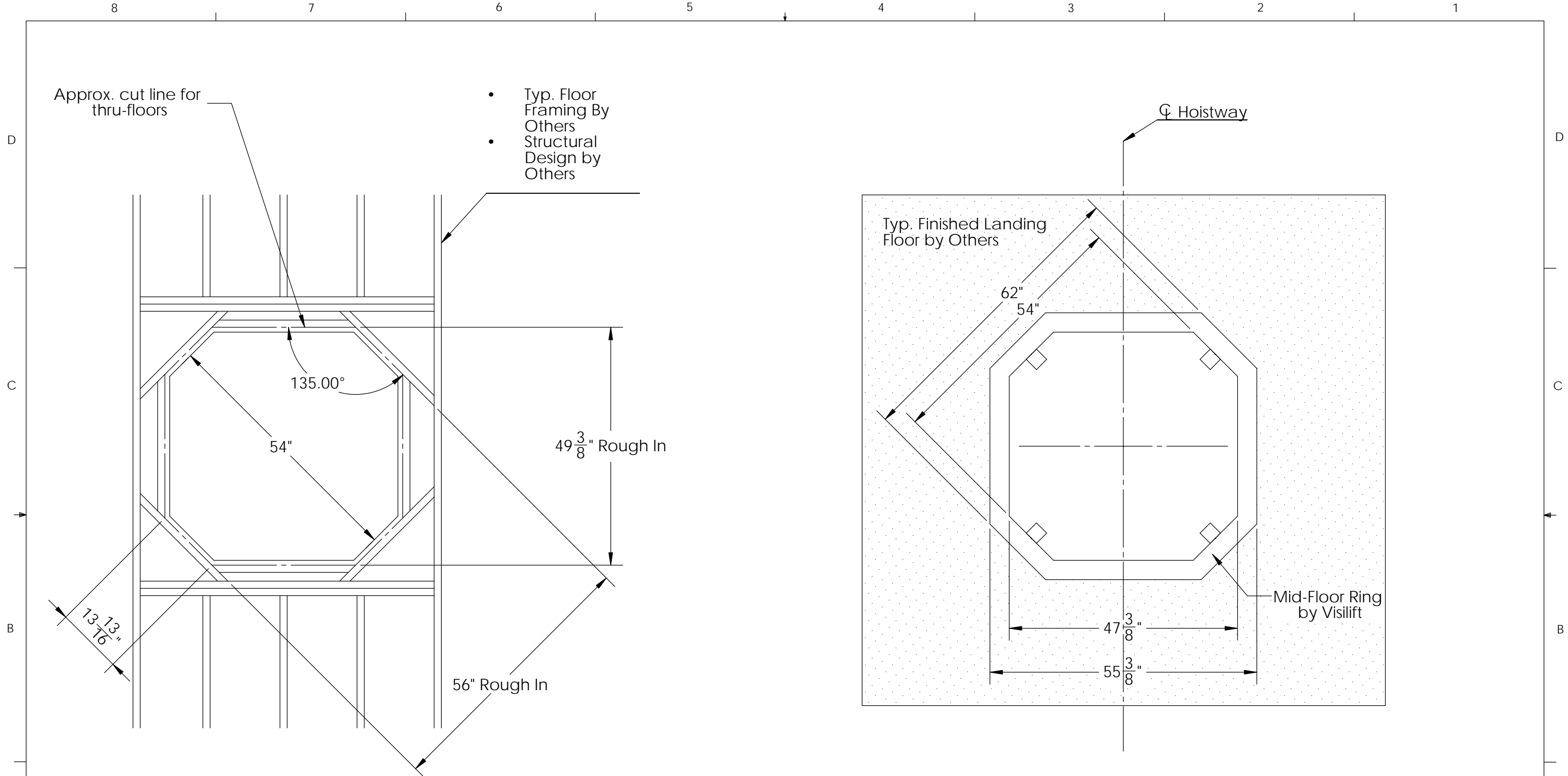
		UNLESS OTHERWISE SPECIFIED:		NAME	DATE	VISILIFT, LLC	
		DIMENSIONS ARE IN INCHES TOLERANCES: FRACTIONAL ± ANGULAR: MACH ± BEND ± TWO PLACE DECIMAL ± THREE PLACE DECIMAL ±		DRAWN			
		INTERPRET GEOMETRIC TOLERANCING PER:		CHECKED		SIZE B DWG. NO. Base Floor Rough in and Finish REV	
		MATERIAL		ENG APPR.			
NEXT ASSY		USED ON		MFG APPR.		Printed: 4/8/2011 Last Saved: 4/8/2011	
APPLICATION		DO NOT SCALE DRAWING		Q.A.			
				COMMENTS:			

NOTE:
Refer to drawing
"Thru-Floor Rough in and Finish"
for plan view and complete
rough in dimensions.



PROPRIETARY AND CONFIDENTIAL
THE INFORMATION CONTAINED IN THIS
DRAWING IS THE SOLE PROPERTY OF
VISILIFT, LLC. ANY REPRODUCTION IN
PART OR AS A WHOLE WITHOUT THE
WRITTEN PERMISSION OF VISILIFT, LLC IS
PROHIBITED.

		UNLESS OTHERWISE SPECIFIED:		NAME	DATE	VISILIFT, LLC	
		DIMENSIONS ARE IN INCHES TOLERANCES: FRACTIONAL \pm ANGULAR: MACH \pm BEND \pm TWO PLACE DECIMAL \pm THREE PLACE DECIMAL \pm		DRAWN			
		INTERPRET GEOMETRIC TOLERANCING PER:		CHECKED		SIZE B DWG. NO. Elevation View - Pit REV	
		MATERIAL		ENG APPR.			
NEXT ASSY		USED ON		MFG APPR.		Printed: 4/8/2011 Last Saved: 4/8/2011	
APPLICATION		DO NOT SCALE DRAWING		Q.A.			
				COMMENTS:			



NOTE:

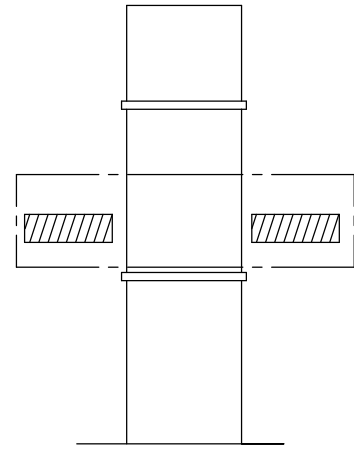
PIT OPTION ROUGH IN AND FINISHED DIMS. ARE IDENTICAL TO THRU-FLOOR ROUGH IN AND FINISHED DIMS.

CLEARANCE FROM ADJACENT WALLS TO EDGE OF HOLE/PIT MUST BE MINIMUM 18" ON ALL SIDES.

PROPRIETARY AND CONFIDENTIAL
 THE INFORMATION CONTAINED IN THIS DRAWING IS THE SOLE PROPERTY OF VISILIFT, LLC. ANY REPRODUCTION IN PART OR AS A WHOLE WITHOUT THE WRITTEN PERMISSION OF VISILIFT, LLC IS PROHIBITED.

		UNLESS OTHERWISE SPECIFIED:		NAME	DATE	VISILIFT, LLC	
		DIMENSIONS ARE IN INCHES TOLERANCES: FRACTIONAL ± ANGULAR: MACH ± BEND ± TWO PLACE DECIMAL ± THREE PLACE DECIMAL ±		DRAWN			
		INTERPRET GEOMETRIC TOLERANCING PER:		CHECKED		SIZE DWG. NO. REV B Thru-Floor Rough in and Finish	
		MATERIAL		ENG APPR.			
NEXT ASSY	USED ON	FINISH		MFG APPR.		SCALE: 1:20 WEIGHT: SHEET 4 OF 7	
APPLICATION		DO NOT SCALE DRAWING		Q.A.			
				COMMENTS:			
				Printed: 4/8/2011 Last Saved: 4/8/2011			

8 7 6 5 4 3 2 1



NOTE:
See "Thru-Floor Rough In and Finish" drawing for plan view and cutout clarification

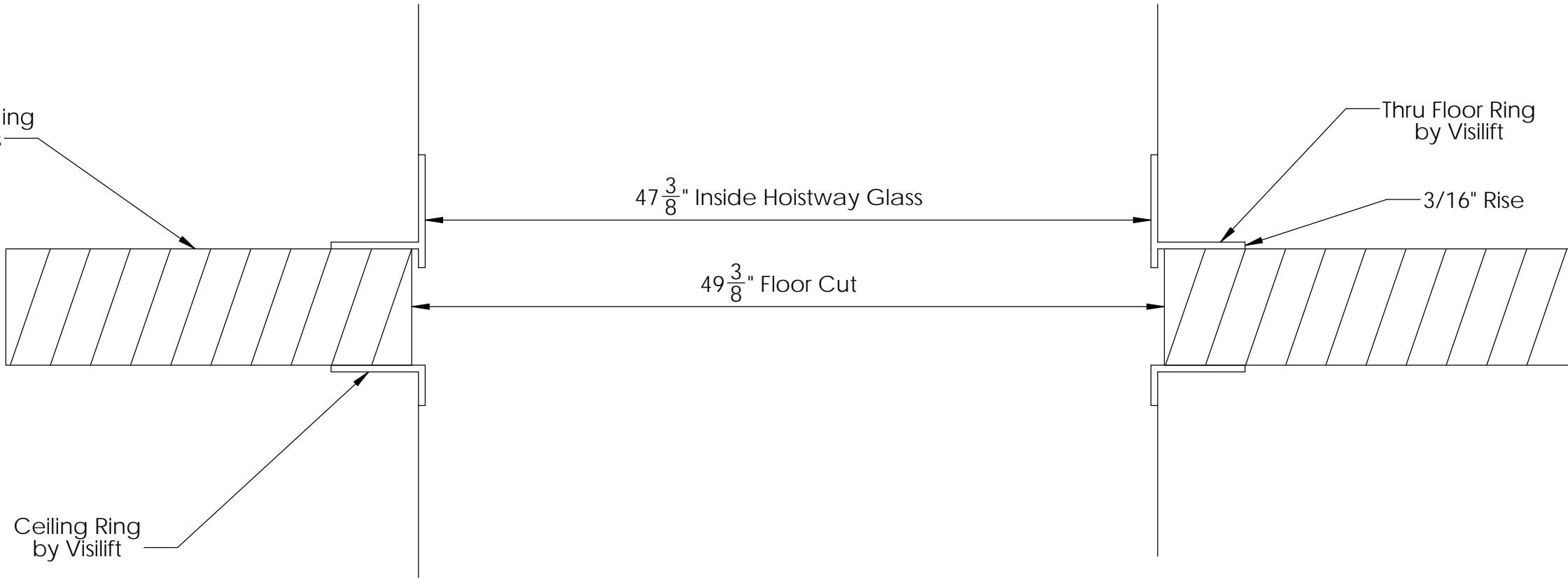
Typ. Finished Landing Floor by Others

47 ³/₈" Inside Hoistway Glass

Thru Floor Ring by Visilift

3/16" Rise

49 ³/₈" Floor Cut



Ceiling Ring by Visilift

D

D

C

C

B

B

A

A

PROPRIETARY AND CONFIDENTIAL
THE INFORMATION CONTAINED IN THIS DRAWING IS THE SOLE PROPERTY OF VISILIFT, LLC. ANY REPRODUCTION IN PART OR AS A WHOLE WITHOUT THE WRITTEN PERMISSION OF VISILIFT, LLC IS PROHIBITED.

		UNLESS OTHERWISE SPECIFIED:		NAME	DATE	VISILIFT, LLC		
		DIMENSIONS ARE IN INCHES TOLERANCES: FRACTIONAL ± ANGULAR: MACH ± BEND ± TWO PLACE DECIMAL ± THREE PLACE DECIMAL ±		DRAWN				TITLE: VIS48SQ - Drawings for Contractors
		INTERPRET GEOMETRIC TOLERANCING PER:		CHECKED		SIZE	DWG. NO.	
		MATERIAL		ENG APPR.		B	Elevation View - Thru Floor	
NEXT ASSY		USED ON		MFG APPR.			SCALE: 1:1	WEIGHT:
APPLICATION		DO NOT SCALE DRAWING		Q.A.		Printed: 4/8/2011 Last Saved: 4/8/2011		

8 7 6 5 4 3 2 1

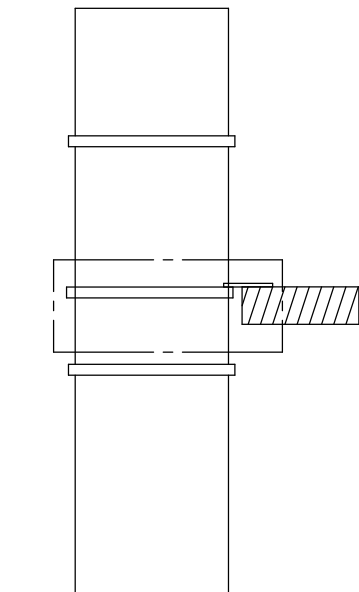
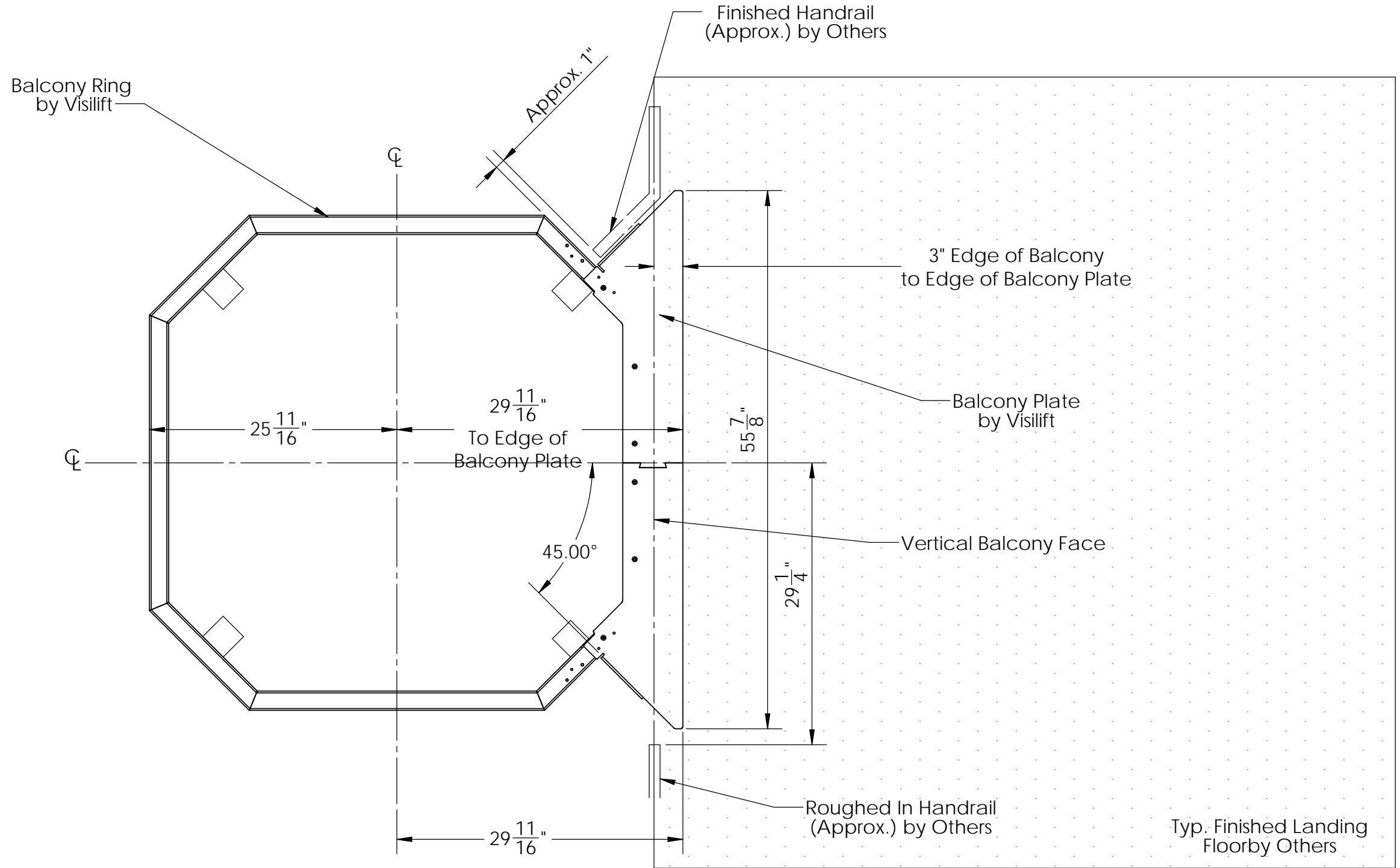
NOTE:

THIS DRAWING DOES NOT SHOW FINISHED HANDRAILING, WHICH IS REQUIRED BY CODE.

IT IS THE RESPONSIBILITY OF THE ARCHITECT/BUILDER TO PROVIDE AND INSTALL ALL REQUIRED HANDRAILING.

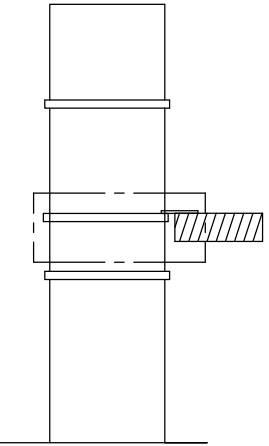
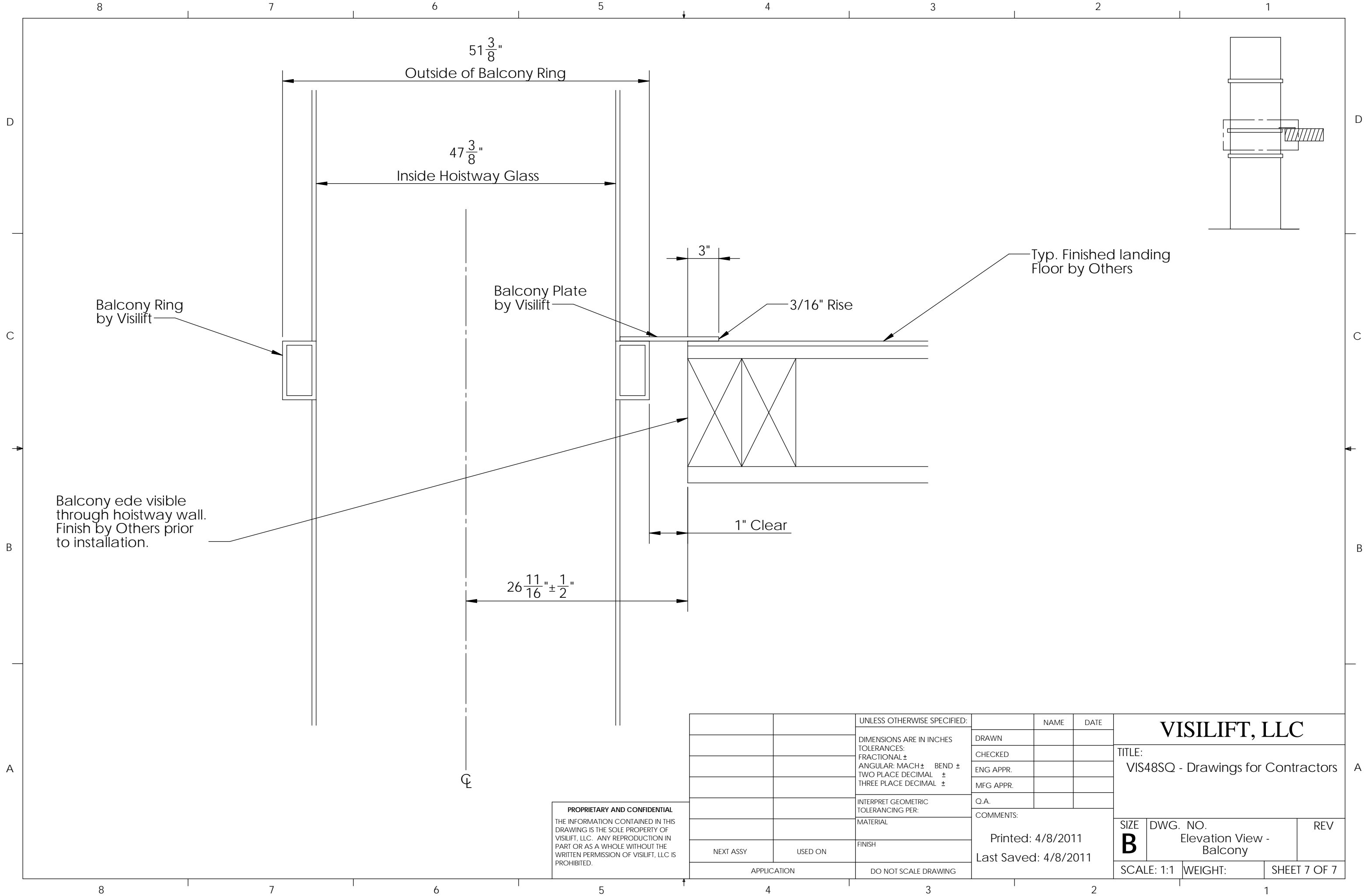
CANTILEVER HANDRAIL DOES NOT ATTACH TO ELEVATOR!!

HANDRAIL MAY ATTACH TO BALCONY PLATE



PROPRIETARY AND CONFIDENTIAL
 THE INFORMATION CONTAINED IN THIS DRAWING IS THE SOLE PROPERTY OF VISILIFT, LLC. ANY REPRODUCTION IN PART OR AS A WHOLE WITHOUT THE WRITTEN PERMISSION OF VISILIFT, LLC IS PROHIBITED.

		UNLESS OTHERWISE SPECIFIED:		NAME	DATE	VISILIFT, LLC	
		DIMENSIONS ARE IN INCHES TOLERANCES: FRACTIONAL ± ANGULAR: MACH ± BEND ± TWO PLACE DECIMAL ± THREE PLACE DECIMAL ±		DRAWN			
		INTERPRET GEOMETRIC TOLERANCING PER:		CHECKED		SIZE	
		MATERIAL		ENG APPR.		DWG. NO. B Balcony Finish	
NEXT ASSY		USED ON		MFG APPR.		REV	
APPLICATION		DO NOT SCALE DRAWING		Q.A.		SCALE: 1:15 WEIGHT:	
				COMMENTS: Printed: 4/8/2011 Last Saved: 4/8/2011		SHEET 6 OF 7	



		UNLESS OTHERWISE SPECIFIED:		NAME	DATE	VISILIFT, LLC		
		DIMENSIONS ARE IN INCHES		DRAWN			TITLE: VIS48SQ - Drawings for Contractors	
		TOLERANCES:		CHECKED				
		FRACTIONAL ±		ENG APPR.				
		ANGULAR: MACH ± BEND ±		MFG APPR.		SIZE	DWG. NO.	REV
		TWO PLACE DECIMAL ±		Q.A.		B	Elevation View - Balcony	
		THREE PLACE DECIMAL ±		COMMENTS:			Last Saved: 4/8/2011	
		INTERPRET GEOMETRIC TOLERANCING PER:		Printed: 4/8/2011		SCALE: 1:1		WEIGHT:
		MATERIAL		Last Saved: 4/8/2011		SHEET 7 OF 7		
		FINISH						
NEXT ASSY	USED ON	DO NOT SCALE DRAWING						
APPLICATION								

PROPRIETARY AND CONFIDENTIAL
 THE INFORMATION CONTAINED IN THIS DRAWING IS THE SOLE PROPERTY OF VISILIFT, LLC. ANY REPRODUCTION IN PART OR AS A WHOLE WITHOUT THE WRITTEN PERMISSION OF VISILIFT, LLC IS PROHIBITED.