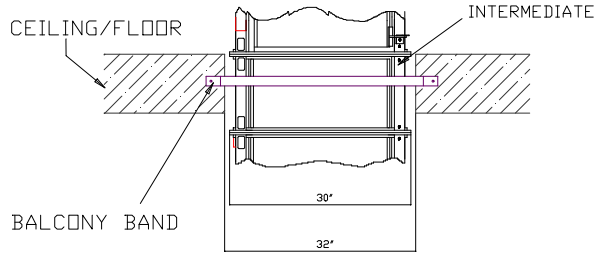
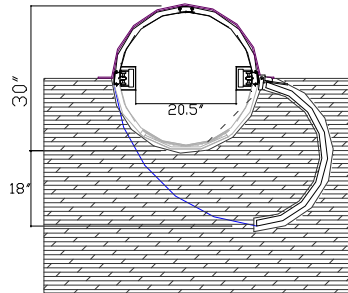


TYPICAL BALCONY MOUNT

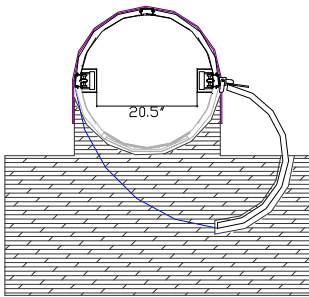
(TYPICAL OF FLOOR PENETRATION)
(SCALE 2:1)



MOUNT SAMPLE 1
SCALE 2:1

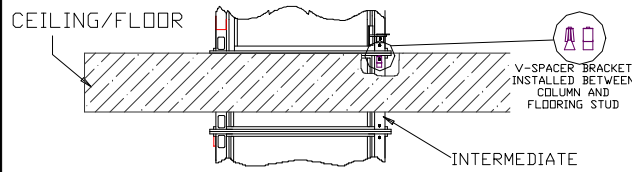


MOUNT SAMPLE 1
SCALE 2:1

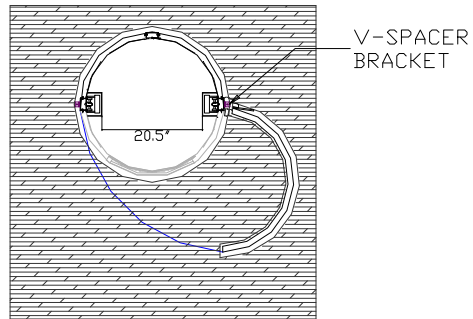


TYPICAL THROUGH FLOOR MOUNT

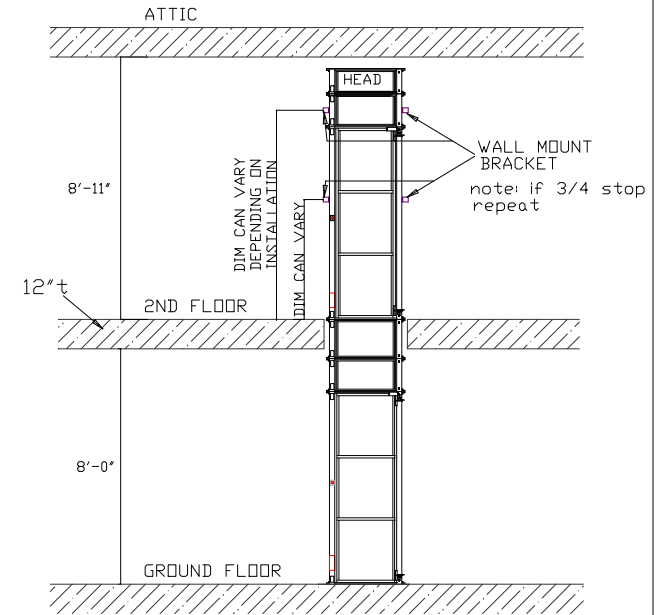
(TYPICAL OF FLOOR PENETRATION)
(SCALE 2:1)



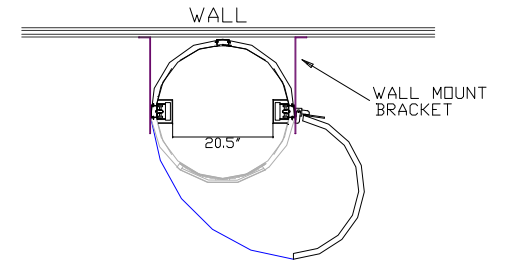
SCALE 2:1




UPPER FLOORS WALL SUPPORT



SCALE 2:1



Information contain herein is the property of Pneumatic Vacuum Elevators LLC. No reproduction or disclosure of this information may be made by the recipient to any person or organization without the written consent of Pneumatic Vacuum Elevators LLC.

Itemref.	Quantity	Material	Dinentions		Article No./ Reference	
 PNEUMATIC VACUUM ELEVATORS LLC			TYPICAL HOME INSTALLATION MODEL 30 SUPPORT & WALL MOUNT			
			Designed by HS	Scale 1:1	Drawing No. D-30-MOUNT	Rev 0